

N-Type Connector NFS01, NFS02

www.gigalane.com



GigaLane N-type connectors are designed for applications up to 11 GHz. Because of the endurance, it is optimum for high power fixed wireless communication equipments.

► Specification

Electrical

Frequency	DC ~ 11 GHz
Impedance	50 Ω
VSWR	1.2 : 1 to 11 GHz
Insulation Resistance	5000 MΩ
Dielectric Withstand Voltage	1200 Vrms Max
Contact Resistance - Outer Conductor - Inner Conductor	1mm Ω max 1mm Ω max
Insertion Loss	0.2 dB max (@11 GHz)
RF Leakage	> 60 dB
Power Handling	50W (@2 GHz)

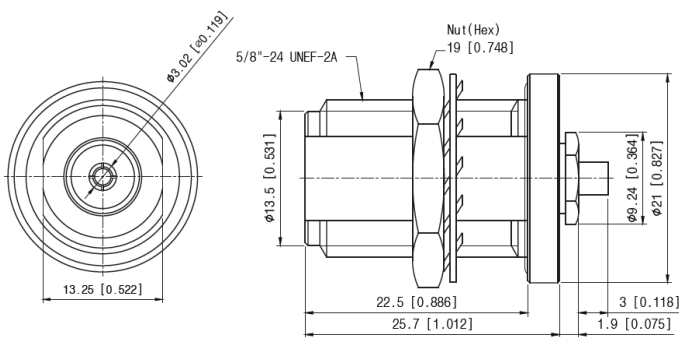
Environmental

Temperature	- 40℃ to + 125℃
Thermal Shock	MIL-STD-202, Method 107, Condition B
Corrosion (salt Spray)	MIL-STD-202, Method 101, Condition B, 5% salt
Vibration	MIL-STD-202, Method 204, Condition B (20G)
Shock	MIL-STD-202, Method 213, Condition I (100G)
Moisture Resistance	MIL-STD-202, Method 106

Materials

Body	Brass (Ni Passivated)
Center Contact	Beryllium Copper (Gold Plated) Brass (Ni Plated)
Insulator	PTFE
Gaskets	Silicon

► Drawing



Unit : mm [inch]

Cable	Part No.
085	NFS01
141	NFS02